

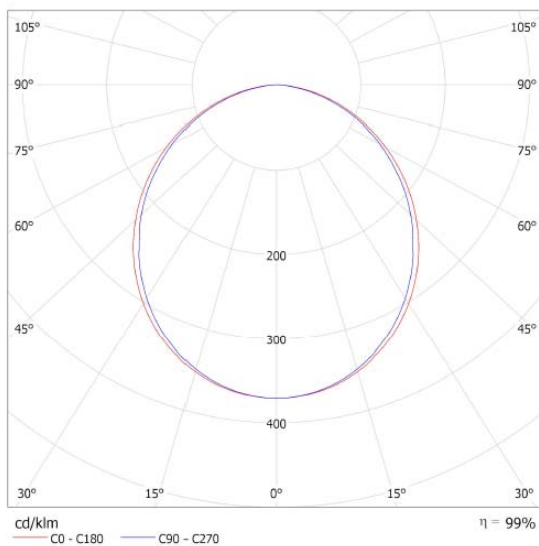
IP67 LED SUPER PROOF



LL16C30

LL16C60

FEATURES



- Small size, high lumen output, easy for mounting in limited space
- 2mm thick PC milky protective lens, aluminum tray inside, high strength end cap design with multi-layer waterproof structure
- With high efficient LED driver and high CRI LED light source, long life time.
- IK10 impact resistant
- IP67 protection against water immersion

CHARACTERISTICS

Item. \ Spec.	LL16C30	LL16C60
Description	Light, LED, Standard, SW	Light, LED, Standard, SW
Input voltage	120-277 VAC	120-277 VAC
Max. input voltage	100-300 VAC	100-300 VAC
Frequency	50-60Hz	50-60Hz
Max. input power	30W	60W
Max. input current	0.3A	0.6A
Lamp type	LED SMD	LED SMD
Color temperature	5000K	5000K
Lumen output	2,300LM	4,500LM
Operation temperature	-30°C to 50°C	-30°C to 50°C
Survival temperature	-40°C to 60°C	-40°C to 60°C
Life time	50,000 Hours	50,000 Hours

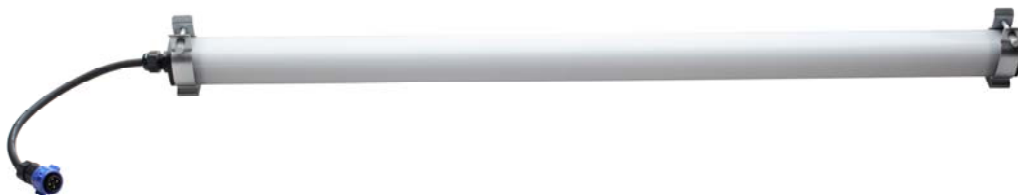
- Ω Springs clip



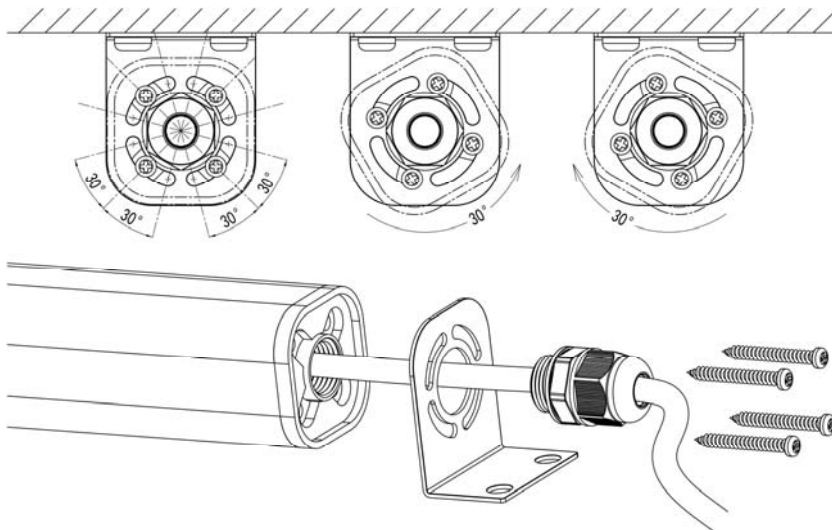
without magnet



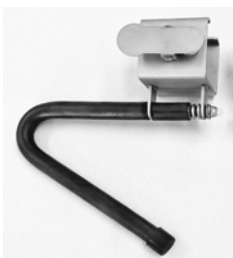
with magnet



- L multi-angle fixing part

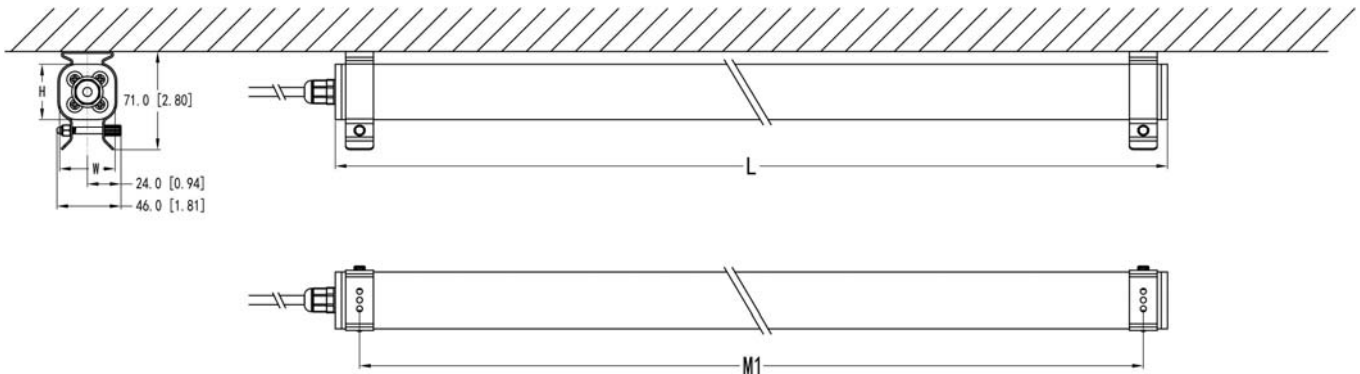


- Suspension system

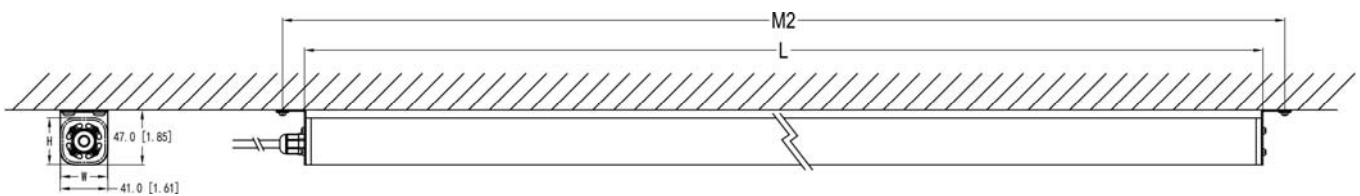


1. Single Mounting

Ω Springs clip



L multi-angle fixing part

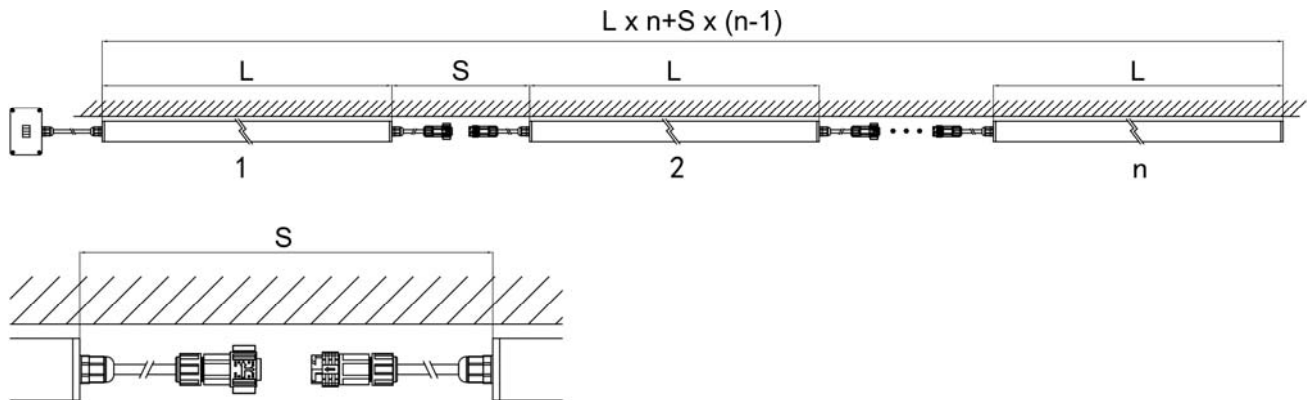


Item No.	L mm [inch]	M1 mm [inch]	M2 mm [inch]	W mm [inch]	H mm [inch]
LL16C30	815 [32.09]	780 [30.71]	855 [33.66]	40 [1.57]	40 [1.57]
LL16C60	1360 [53.54]	1325 [52.17]	1400 [55.12]	40 [1.57]	40 [1.57]

Notes:

1. Dimension unit: mm [inch]
2. Dimension tolerance: +/-1 [0.04]

2. Linkable Mounting



Item No.	L mm [inch]	S mm [inch]	W mm [inch]	H mm [inch]	Total Linkable Power
LL16C30	815 [32.09]	200 [7.87]	40 [1.57]	40 [1.57]	$\leq 450W$
LL16C60	1360 [53.54]	200 [7.87]	40 [1.57]	40 [1.57]	$\leq 450W$

Notes:

1. Dimension unit: mm [inch]
2. Dimension tolerance: +/-1 [0.04]

Head Light



Middle Light



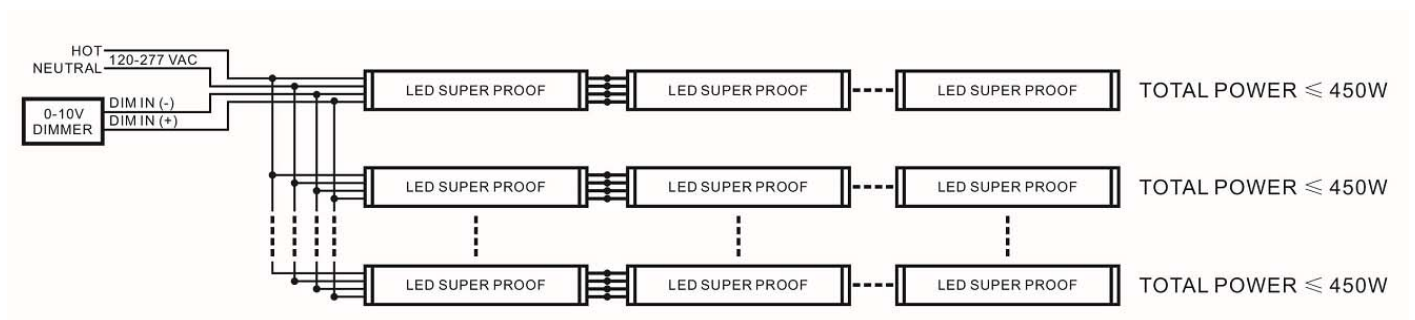
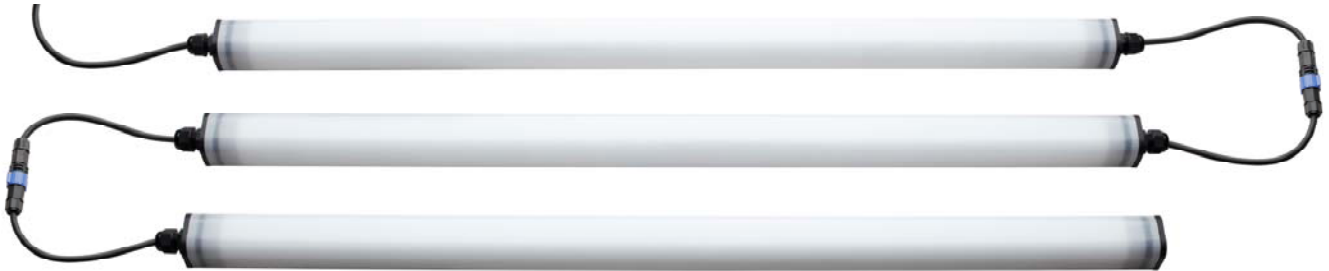
End Light



Standard Lighting System:

Input: 100-277V AC, with Max. 2x1.0 sq.mm power

Recommended Max. linkable quantity: LL16C30: 15pcs; LL16C60: 7pcs



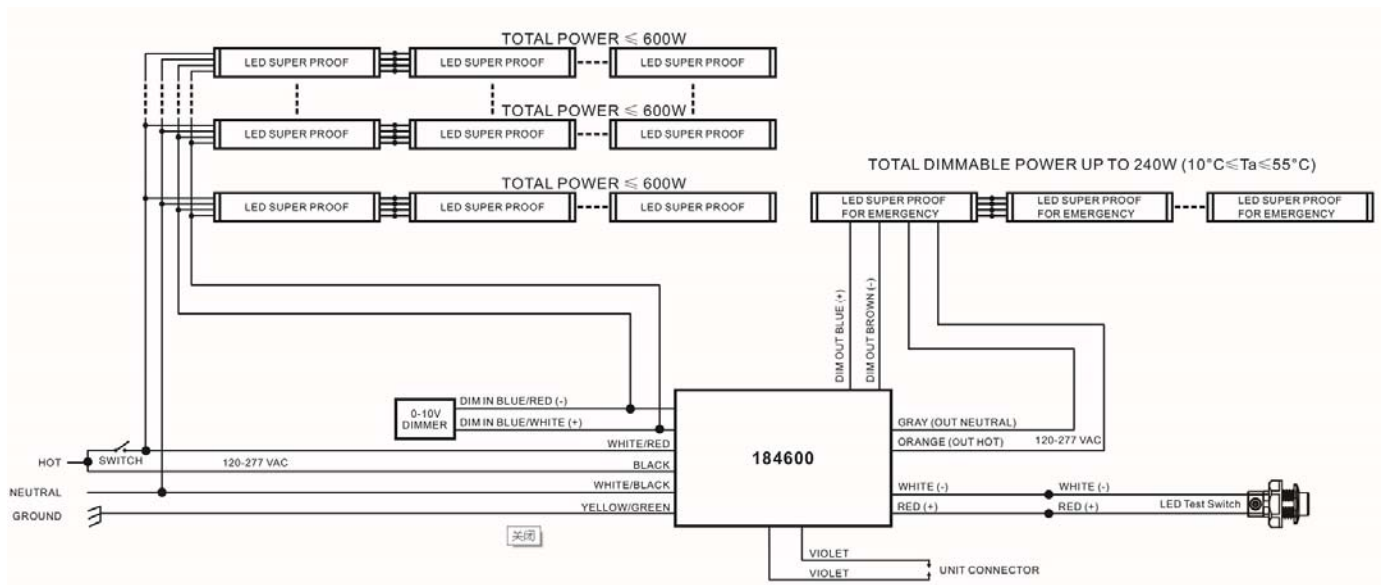
Emergency Lighting System

Input: 100-277V AC, with Max. 4x0.75 sq.mm power

Recommended linkable load quantity:

LL16C30: 8pcs; Normal power: 30W; Emergency power: 4.5W; Emergency time: over 90 minutes

LL16C60: 4pcs; Normal power: 60W; Emergency power: 9W; Emergency time: over 90 minutes



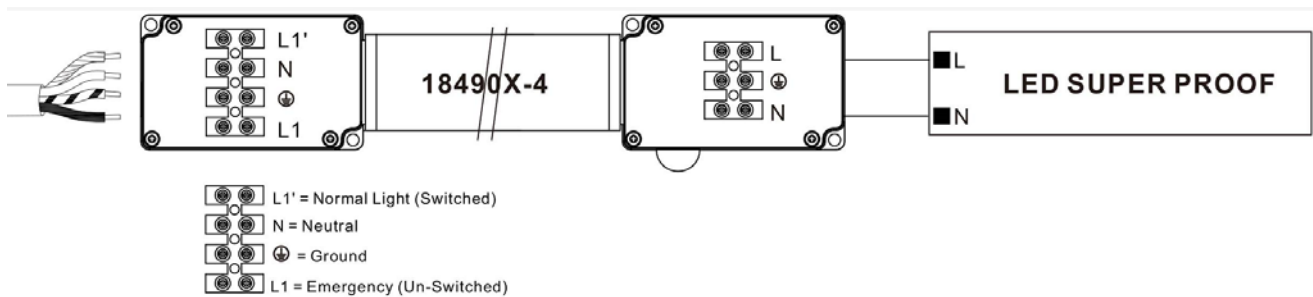
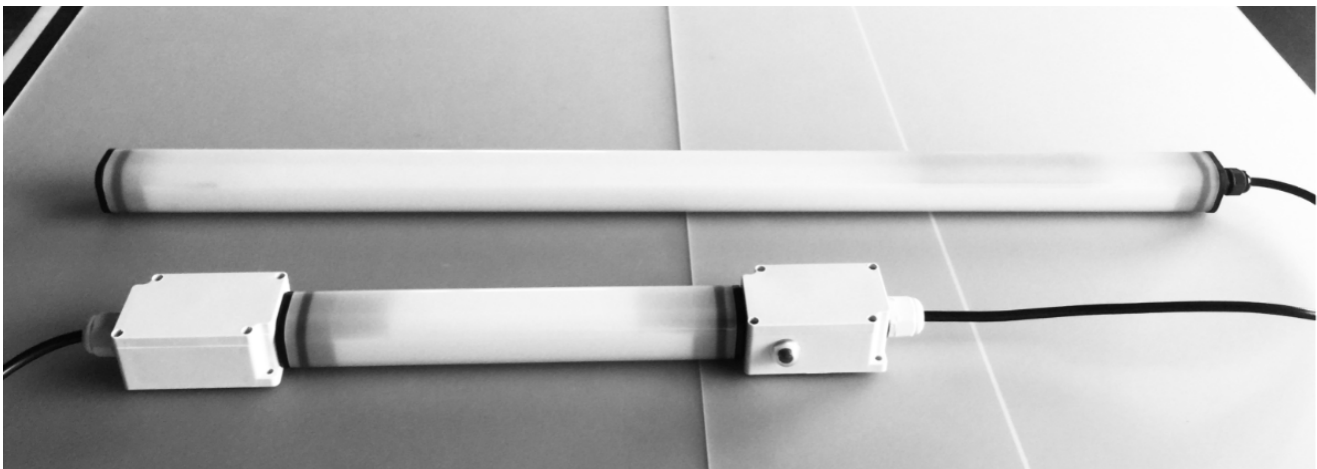
**Emergency Lighting System
With 18490X-4 Linear Emergency Equipment**

Input: 100-277V AC, with Max. 4x0.75 sq.mm power

Recommended configuration:

LL16C30 + 184900-4: Normal power: 30W; Emergency power: 4W; Emergency time: over 90 minutes

LL16C60 + 184901-4; Normal power: 60W; Emergency power: 9W; Emergency time: over 90 minutes



Wind Power or Ships



➤ **Garages**



➤ **Light boxes**



➤ **Any other harsh indoor and outdoor locations**

